

PLASTIC RUNNING MAN LED 120/347VAC Input



Approvals:
CSA Certified to C22.2 #141.15, C860

DESCRIPTION

The RPNP series of commercial or decorative plastic running man signs is designed using durable and lightweight high impact thermoplastic.

CIRCUITRY - AC & AC/DC

- LED ultra bright light source
- 120/347VAC Input, field selectable
- 120V/0.28A 2.30W; 347V/0.31A 2.75W max power consumption
- 2.75W power consumption single or double face
- Emergency DC wattages as follows:
6VDC = 1.42W 12VDC = 1.42W 24VDC = 1.42W

CIRCUITRY - SELF-POWERED

- LED ultra bright light source
- 120/347VAC Input, field selectable
- 120V/0.46A 4.01W; 347V/0.37A 3.51W max power consumption
- 4.1W at 120V and 3.6W at 347V
- Ambient temperature 10°C to 35°C
- High-performance, sealed Ni-Cad battery
- 90 Minutes emergency duration (standard)
- Solid state transfer and battery charger

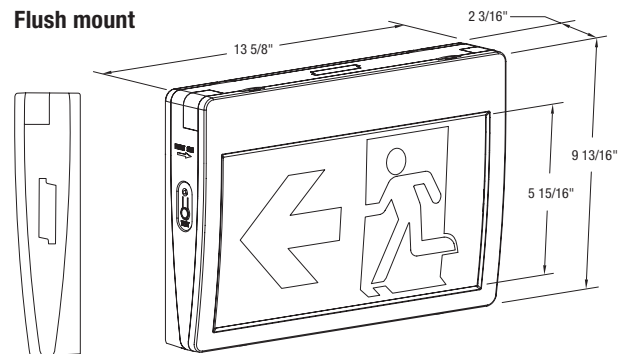
MECHANICAL

- High impact, UV stabilized, thermoplastic construction
- Quick snap faceplates and universal canopy for rapid and simple installation

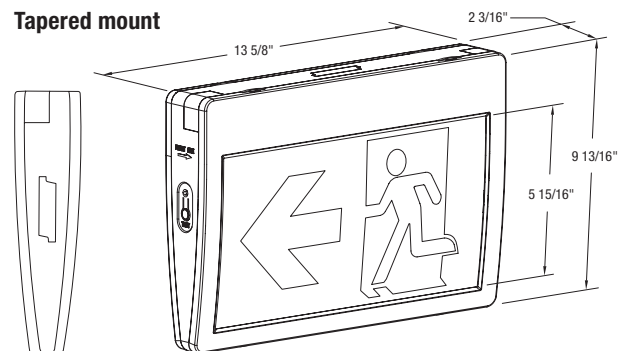


DIMENSIONS

Flush mount



Tapered mount



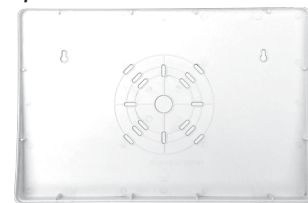
Comes standard with three pictogram legends for direction selection.



For double face no arrow options, select "0" on the options column.



Flush wall mount backplate. Use for direct wall mount (no canopy required) Spider knock-out for wall-mount



Universal canopy



ORDERING GUIDE

RPNP	U	WHT	—	/
Series	Nbr of faces - Mounting	Colour	DC Output	Options†
RPNP	U - Universal	WHT - White	UNVDC - Universal DC backup voltage from 6 to 24VDC BAT - Self-powered for 90 minutes	0 - No indicators (double face only)

† For detailed options descriptions, please consult the options page.

